



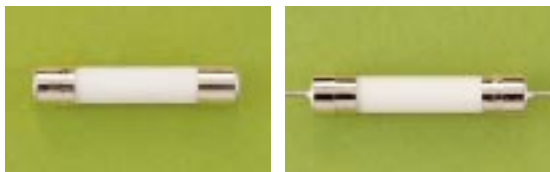
defining a degree of excellence

Type 3AB / 3ABP

Fast Blow Fuse Series

1/4 x 1 1/4 inch Ceramic Tube

3ABD0199



Electrical Characteristics (UL/CSA STD. 248-14)

Testing Current	Blow Time	
	Minimum	Maximum
100%	4 Hrs.	N/A
135%	N/A	1 Hr
200%	N/A	5 sec

Approvals



Safety Agency Approvals	Type	Amp range / Volt @ I.R. ability
Listed File no. E20624 Certified File no. LR39772	3AB / 3ABP	100mA - 1A / 250V AC@ 35A >1A - 3.5A / 250V AC@ 100A >3.5A - 10A / 250V AC@ 200A 100mA - 10A / 125V AC@ 10,000A
Approval File no. 32-1764 / no. 32-1766 File no. 32-1765	3AB / 3ABP	1A - 5A / 125V AC@ 500A >5A - 15A / 125V AC@ 300A

Storage Temperature

-55°C to +125°C

Physical Specification

Materials

Ceramic body / Nickel Plated Brass Caps
 Lead wire:
 Tin-lead plated Copper, Diameter 0.040" for all ratings

Marking

On fuse:
 "bel", "3AB", "Current Rating", "Voltage Rating", and "Appropriate Safety Logos"

On label:
 Above info plus "CE" and interrupting rating

Voltage on fuse:
 250V for 100mA to 10A

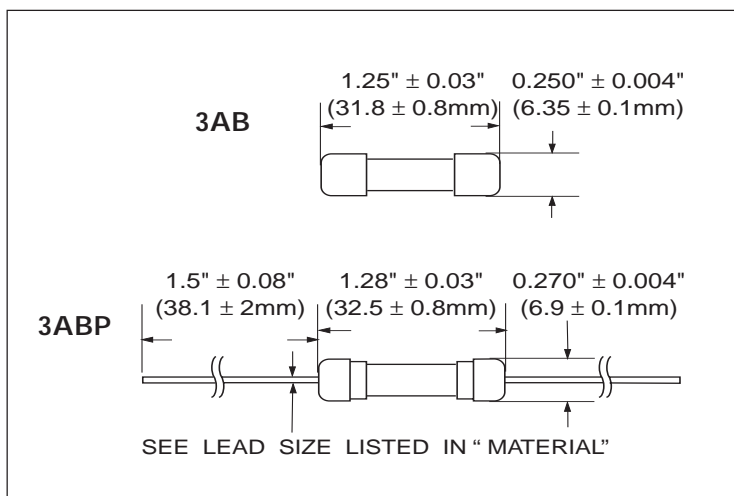
Packaging

- In bulk:
3AB - 1,000 pcs per box; **3ABP** - 500 pcs per box
- On Axial Tape & Reel:
 1,000 pcs per reel
- Tape & Reel specification:
 per EIA-296-E & IEC 286-1
 @ 10mm Pitch and 73mm inside Tape Spacing

Catalog Number	Ampere Rating	Typical Cold Resistance (ohm)	Volt-drop @100% I_n (Volt) max.	Melting $I^2T < 10$ mSec (A ² Sec)	Melting $I^2T @10 I_n$ (A ² Sec)	Maximum Power Dissipation (W)
3AB (P) 100	100mA	12.5	4.5	0.002	0.002	0.59
3AB (P) 125	125mA	12.0	4.5	0.004	0.003	0.74
3AB (P) 160	160mA	8.3	4.2	0.008	0.005	0.87
3AB (P) 200	200mA	5.7	3.9	0.014	0.010	1.02
3AB (P) 250	250mA	3.9	3.6	0.025	0.017	1.19
3AB (P) 300	300mA	2.7	3.4	0.044	0.032	1.40
3AB (P) 375	375mA	2.0	3.2	0.07	0.05	1.58
3AB (P) 500	500mA	1.28	2.9	0.14	0.10	1.92
3AB (P) 750	750mA	0.24	0.2	0.75	0.74	0.30
3AB (P) 1	1A	0.16	0.23	1.43	1.44	0.37
3AB (P) 1.25	1.25A	0.114	0.21	2.45	2.51	0.44
3AB (P) 1.6	1.6A	0.084	0.20	4.2	4.4	0.51
3AB (P) 2	2A	0.063	0.18	7.2	7.6	0.59
3AB (P) 2.5	2.5A	0.047	0.170	12	13	0.70
3AB (P) 3	3A	0.035	0.162	21	23	0.83
3AB (P) 3.5	3.5A	0.030	0.157	28	31	0.91
3AB (P) 4	4A	0.026	0.154	36	40	1.0
3AB (P) 5	5A	0.020	0.146	63	70	1.2
3AB (P) 6	6A	0.015	0.139	107	123	1.4
3AB (P) 7	7A	0.013	0.135	141	162	1.6
3AB (P) 8	8A	0.012	0.132	184	214	1.7
3AB (P) 10	10A	0.009	0.125	316	372	2.0

Consult manufacturer for other ratings

Mechanical Dimensions



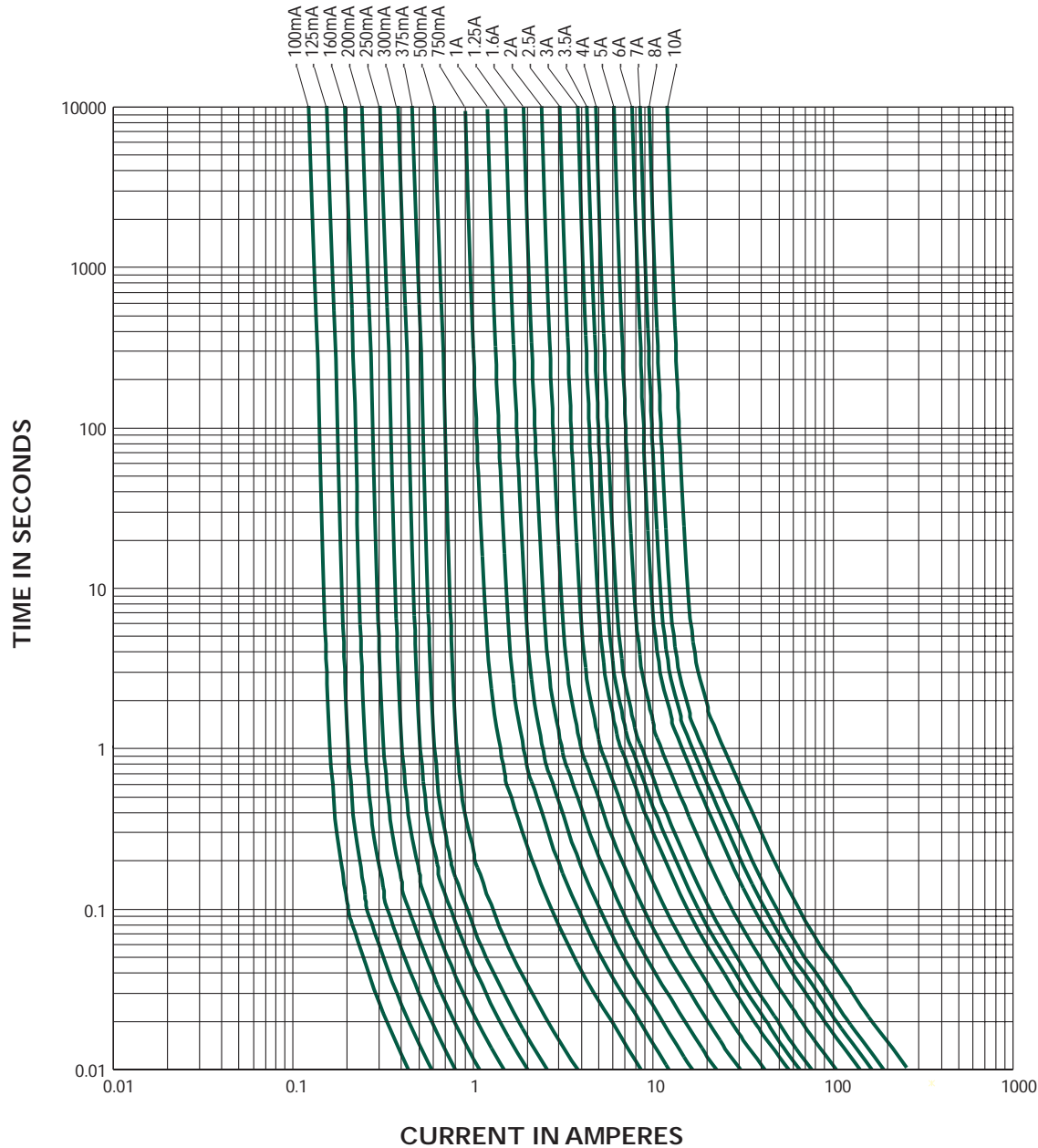
Specifications subject to change without notice

Type 3AB / 3ABP
Fast Blow Fuse Series

1/4 x 1 1/4 inch Ceramic Tube

3ABC0600

3AB / 3ABP - TIME CURRENT CHARACTERISTIC CURVE



Specifications subject to change without notice

NOTE - see important information under "User Guide" on P.08

Corporate Office

Bel Fuse Inc.
198 Van Vorst Street, Jersey City, NJ 07302
Tel: 201-432-0463
Fax/Fax: 201-432-9542
E-Mail: belfuse@belfuse.com
Internet: <http://www.belfuse.com>

Far East Office

Bel Fuse Ltd.
8F/8 Luk Hop Street
San Po Kong
Kowloon, Hong Kong
Tel: 852-2328-5515
Fax: 852-2352-3706

European Office

Bel Fuse Europe Ltd.
Preston Technology Management Centre
Marsh Lane, Preston PR1 8U
Lancashire, U.K
Tel: 44-1772-556601
Fax: 44-1772-888366